

CX Flex™

Universal security for CE products & accessories

Flexible, Low Cost Security

- **Simple & Secure.** One cable for power and alarm with multiple alarm points.
- **Multiple Models.** Fit the needs for each position and product, 1 or 4 ports, from high power to alarm only.
- **Quickly Arm & Disarm.** Low cost key arms with a simple tap.
- **Locking cables.** Cable sensors lock into place. Reduce theft and false alarms.
- **Instant Data and Analytics.** Works with Connect™ to deliver in-store product health and compliance data in real time.



Combine with mechanical products to provide power & alarm.



Security For High Interaction

Multiple Models. Select security by product and position.

| | |
|--------------------|--|
| CX Flex 1P+ | One port, alarm with high power. Works with Connect™. |
| CX Flex 1P | One port, alarm with standard power. |
| CX Flex 1A | One port with alarm only. |
| CX Flex 4A | Four port with alarm only. Works with Connect™. |

Flexible Merchandising. Secure CE products and accessories with an array of sensor cables.



Multiple alarm points.

Flexible & fast merchandising.

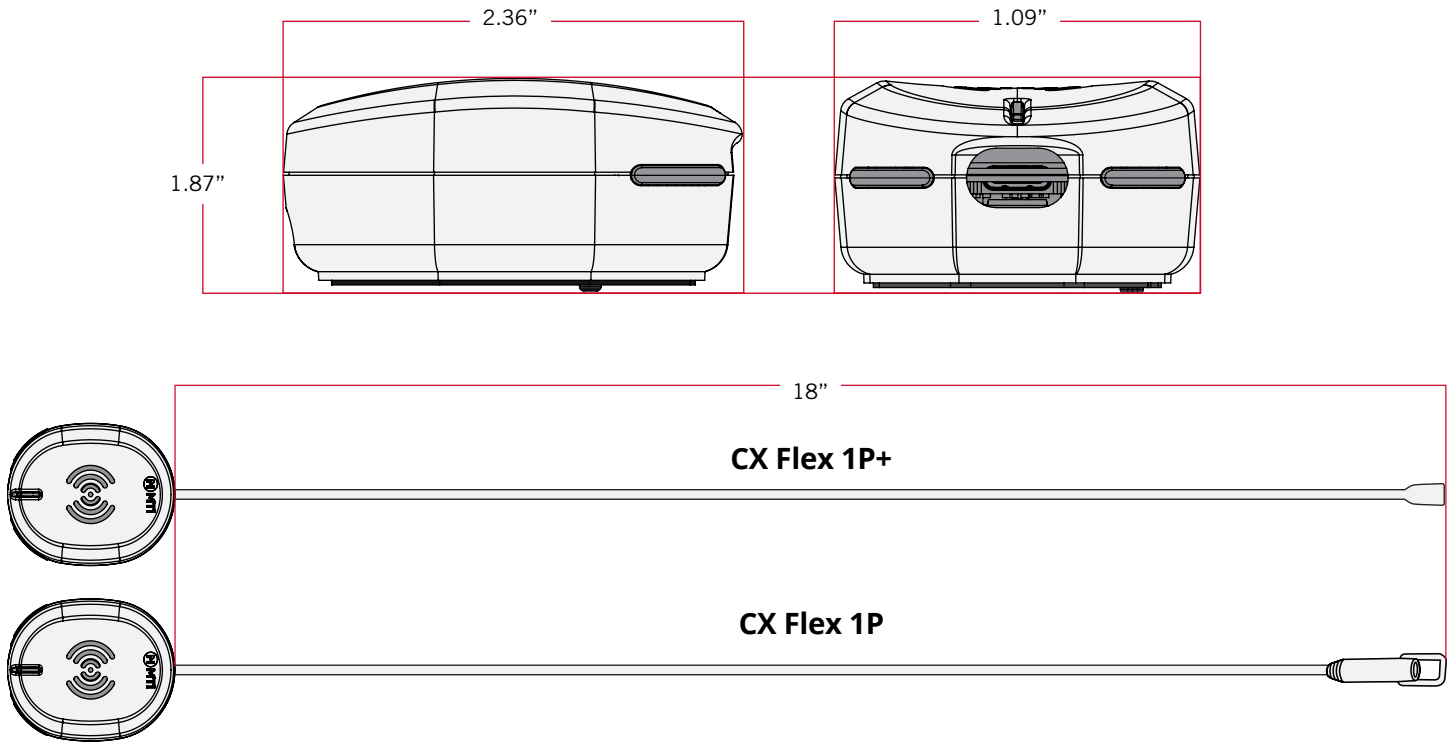


Quickly arm and disarm system via RFID key.



Improve customer experience while reducing internal shrink with serialized low cost keys for each employee.

Dimensions:



Product Specifications:

| Specification | Value |
|--------------------|---|
| Alarm | 100dB |
| Height | 1.87" [47.50mm] |
| Length | 2.36" [59.94mm] |
| Width | 1.09" [27.69mm] |
| Back-up Battery | 16 hours from full charge |
| 1A Battery Life | 1 year |
| 1P+ Charging Power | USB-C Power Delivery (PD). 5V-20V up to 3A, 45W Max (MTI or OEM Power Supply) |
| 1P Charging Power | 5V up to 3A, 15W Max (MTI or OEM Power Supply) |

Contact Us for a Sample:

Sales@MTIGS.com | 503.693.3039

