

XD GUARDIAN UNIVERSAL™

Safeguard the In-Store Experience

Protect & Defend Your Most Valuable Smartphones

- **Heavy-Duty Bracket & Display.** 11-gauge all-metal, all-mechanical display designed to stop even the most violent theft attempts.
- **High Security Barrel Lock.** Tough tamper proof design.
- **Universal Bracket.** One position, any phone. Merchandise new phone models in moments to simplify NPI roll outs.
- **All-in-One.** Baseplate, bracket and riser in one strong, sleek package.
- **Fast Merchandising.** Unlock and slide phones in or out in seconds.
- **Brute Strength.** Large steel base plate and all-steel riser will stand up to kicking, torquing and hammering.
- **Optional Alarm Security and Power.** Easily add both with optional CX Flex™ or Freedom Core II™ integration for even higher security.



Engineered to Stop Aggressive Theft Attempts

Heavy-Duty, High Security Bracket & Display. Five-point armored steel high security bracket and all-steel display engineered to stop smash and grab thefts.



Clean Merchandising. Self-contained mechanical solution that eliminates messy cables. The sleek, inobtrusive display lets your customers focus on their buying decisions while delivering unmatched security.



Unified Visual Merchandising. Integrates seamlessly with the MTI product line so you can customize the security level you need for each position and maintain a unified visual aesthetic.

Offers Exceptional Customer Experience

Flexible and Strong. Supports both landscape and portrait merchandising and multiple installation configurations. Riser options include swivel or fixed; through-hole, slot and dual-stud.

Quick Release. Fast demerchandising and remerchandising, remove devices in moments to store securely for off-hours security.

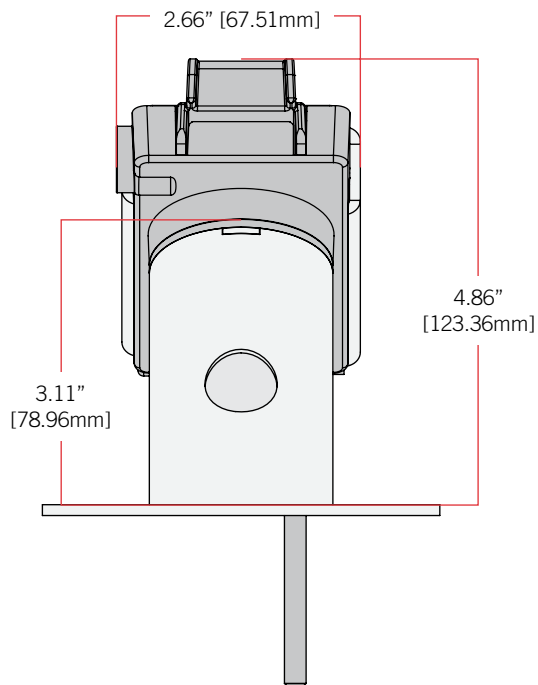
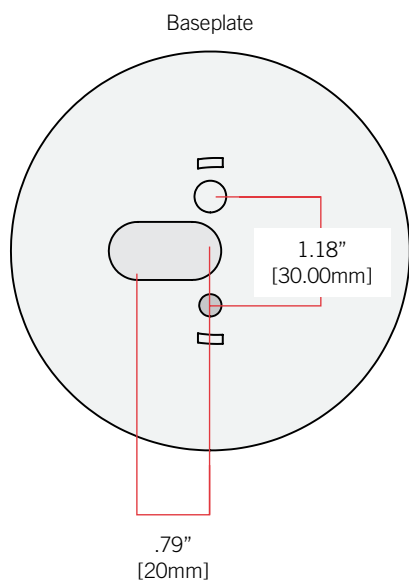
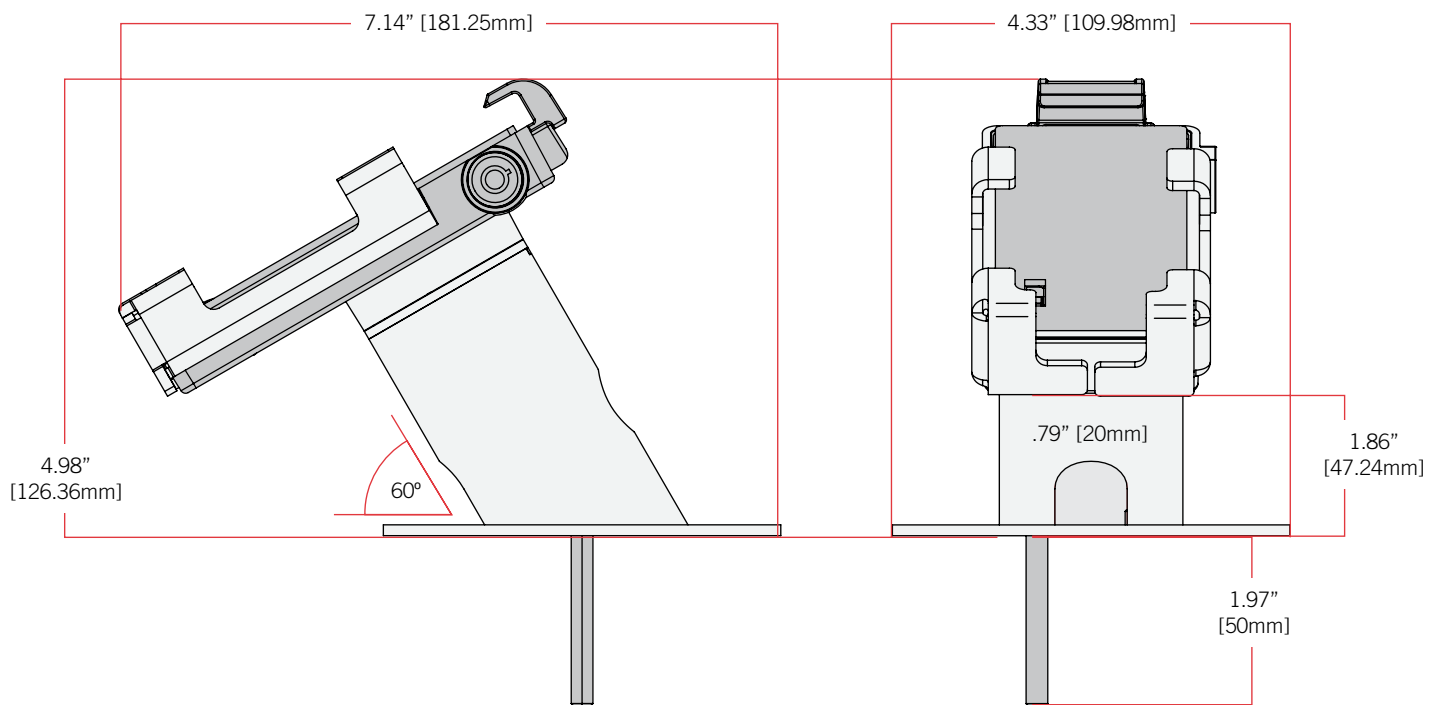
Alarm Security and Power. Integration with CX Flex™ or Freedom Core II™ for alarming and power options.



High Security Barrel Lock. Keeps devices secure and releases them in moments when needed.



XD GUARDIAN UNIVERSAL™ DIMENSIONS:



Fits devices from 110mm to 172mm tall and 55mm to 88mm wide.

XD Guardian Family



Tablets



Baseplate



Reinforced Brackets



Fixture Safe



Flush Mount



XD Guardian Universal™



XD Guardian D Series™



XD Guardian W Series™

XD Guardian D Series™ | Mounting & Bracket Options



Contact Us for a Sample

Sales@MTIGS.com | 503.693.3039

